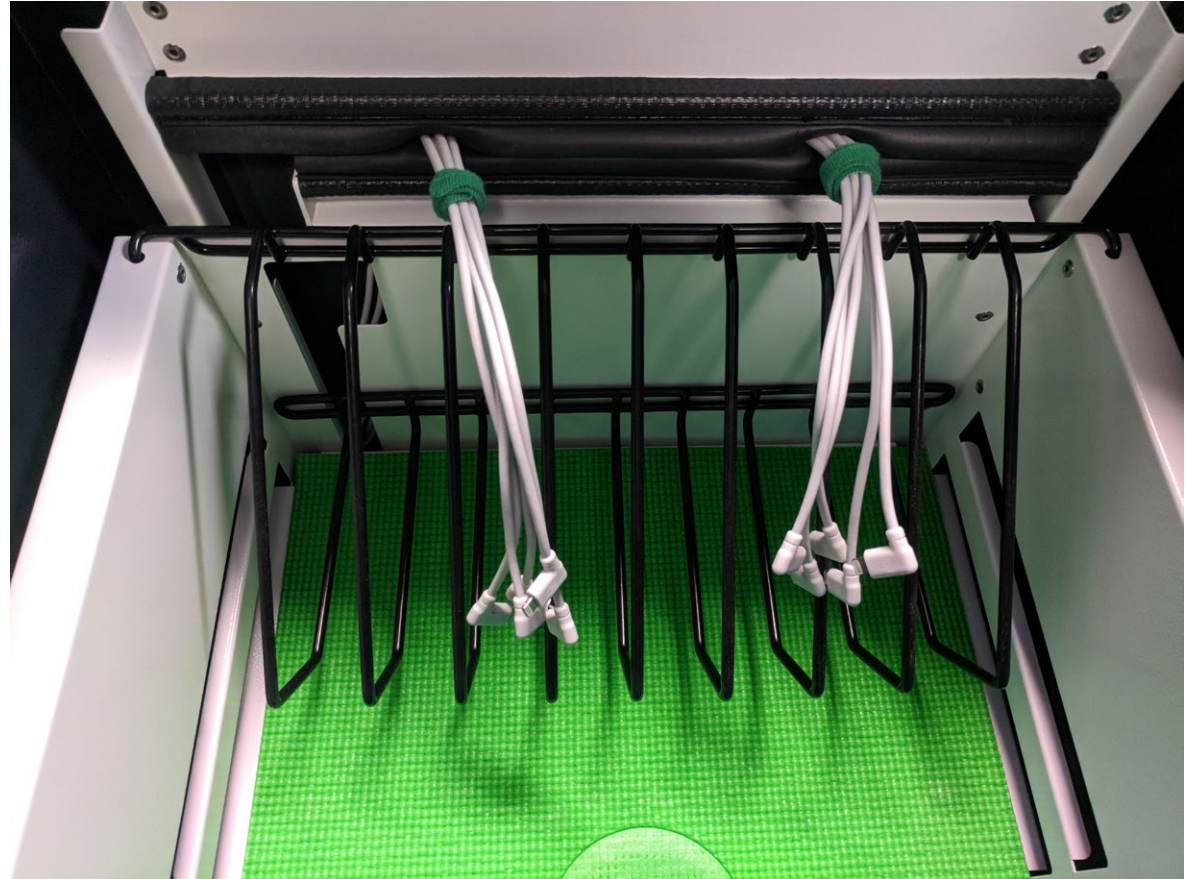


Stainless Steel Device Rack

for Carrier 20 Cart™
(Compatible with #10129)

Need to fit bigger devices in your Carrier 20 Cart? Install the LocknCharge Stainless Steel Device Rack and expand the device compatibility to large Chromebooks and Laptops.



Follow the steps below to check your device's compatibility.

1

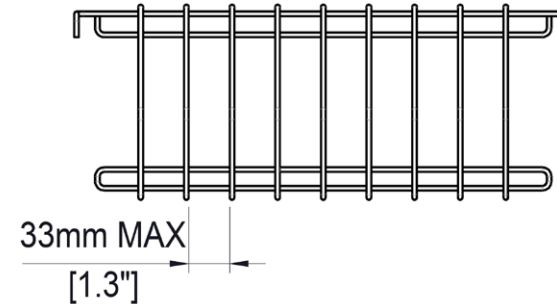
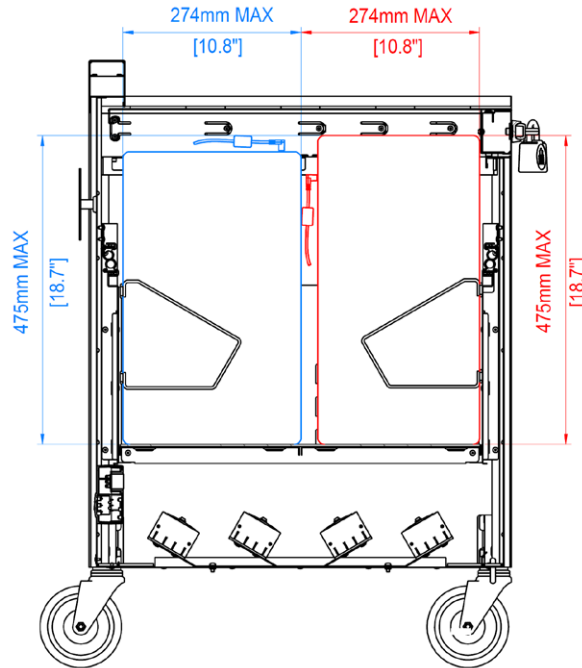
Check where the power inlet is located on your device. Is it on the side or on the rear of your device?

2

Check your device dimensions.
Use the **blue** measurements if the power inlet is on the side.
Use the **red** measurements if the power inlet is on the rear.

3

If your device is smaller than the measurements shown below, your device is compatible.



CART COMPATIBILITY	MFR CODE & DESCRIPTION	TOTAL DEVICES PER CART	MAX DIMENSIONS WITH POWER CABLE (mm):	MAX DIMENSIONS WITH POWER CABLE (inches):
10129	10150: device rack 10 slot pair	20	475mm x 274mm x 33mm	18.7in x 10.8in x 1.3in

www.lockncharge.com
888-943-6803
support@lockncharge.com

